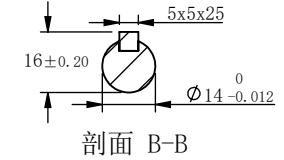
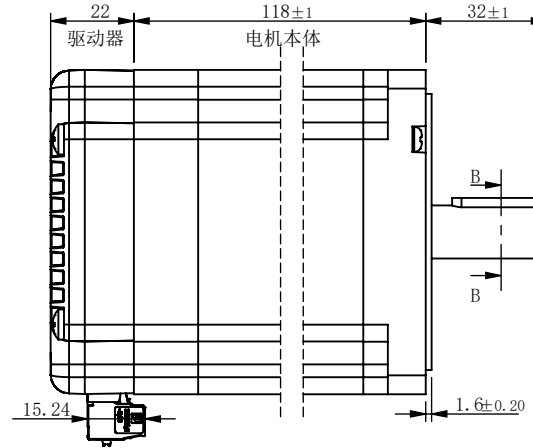
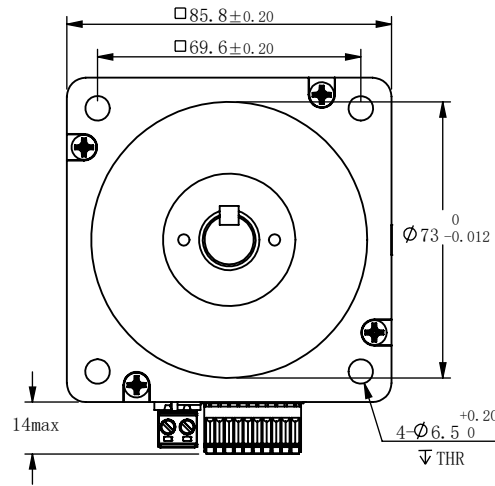
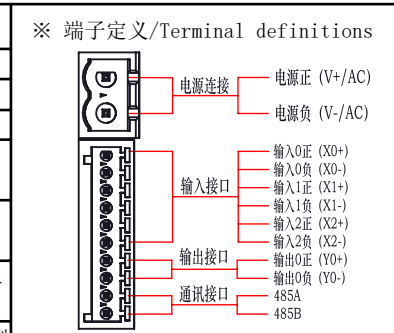


※ 尺寸/Dimensions 单位/Unit: (mm)



※ 规格/ Specification		※ 端口功能/Port Function	
输入电压范围	18~70VAC/24~100VDCvdc	序号	名称
输出力矩范围	最大8.5N.m	1	V+
电流设置	软件可调, 0.5~6.5可调, 出厂适配电机	2	V-
细分设置	软件200-1000000整数可调, 出厂默认4000	3	X0+
编码器反馈	1000线(4000 Counts)编码器反馈	4	X0-
非易失性存储	配置参数存储在MCU内部的FLASH中	5	X1+
重量	≈4.1 Kg	6	X1-
转子惯量	≈ 2800 g.cm <sup>2</sup>	7	X2+
通讯方式	Modbus-RS485	8	X2-
波特率	115200	9	Y0+
数据位	8	10	Y0-
停止位	1	11	485A
校验位	无	12	485B



※ 铭牌内容/Label description

第一角画法 Frist Angel View	型号/Model	IR86ET85
	品号/Product No.	

※ 拨码设置/Serial port Settings

地址	1	2	3	4	5	6	7	8	9	10	11	12	13	14	15	16	17	18	19	20	21	22	23	24	25	26	27	28	29	30	31	32				
SW1	ON	OFF	ON	OFF	ON	OFF	ON	OFF	ON	OFF	ON	OFF	ON	OFF	ON	OFF	ON	OFF	ON	OFF	ON	OFF	ON	OFF	ON	OFF	ON	OFF	ON	OFF	ON	OFF	ON	OFF		
SW2	ON	ON	OFF	OFF	ON	ON	OFF	OFF	ON	ON	OFF	OFF	ON	ON	OFF	OFF	ON	ON	OFF	OFF	ON	ON	OFF	OFF	ON	ON	OFF	OFF	ON	ON	OFF	OFF	ON	ON	OFF	
SW3	ON	ON	ON	ON	OFF	OFF	OFF	OFF	ON	ON	ON	ON	OFF	OFF	OFF	OFF	ON	ON	ON	ON	OFF	OFF	OFF	OFF	ON	ON	ON	ON	OFF	OFF	OFF	OFF	OFF	OFF	OFF	
SW4	ON	ON	ON	ON	ON	ON	ON	ON	OFF	OFF	OFF	OFF	OFF	OFF	OFF	OFF	ON	ON	ON	ON	ON	ON	ON	ON	ON	ON	ON	ON	ON	ON	ON	ON	ON	ON	ON	ON
SW5	ON	ON	ON	ON	ON	ON	ON	ON	ON	ON	ON	ON	ON	ON	ON	ON	ON	ON	ON	ON	ON	ON	ON	ON	ON	ON	ON	ON	ON	ON	ON	ON	ON	ON	ON	ON

公差 Tolerance	比例 Scale	页码 Sheet
±0.3	1:2	1/1

名称/Name	集成式步进伺服 Integrated step servo
---------	----------------------------------

备注: 需要其他地址可通过上位机设置基地址, 默认基地址为1. 实际地址=拨码地址+基地址-1 SW6: 用于设定终端电阻, OFF时为0欧姆, ON时为120欧姆

